

Drypower Gel

PURE GEL TYPE
PURE GEL HIGH POWER



2V

630Ah

SLA

GEL
Deep Cycle

2PLG630TS

Rechargeable Pure Gel Lead Acid Battery

SPECIFICATIONS

Nominal Voltage	2V	
Nominal Capacity		
20 hour rate	(31.5A to 1.75V)	630Ah
10 hour rate	(60A to 1.80V)	600Ah
5 hour rate	(102A to 1.70V)	510Ah
1 hour rate	(360A to 1.60V)	360Ah
1C rate	(600A to 1.60V)	300Ah
Weight	Approx. 36kg	
Internal Resistance (at 1KHz)	Approx. 0.5mΩ	
Maximum Discharge Current (5 secs)	3600A	
Charge Methods at 25°C		
Cycle Use		
Charging Voltage	2.33V to 2.36V	
Coefficient	-5.0mV/°C/Cell	
Maximum Charging Current	189A	
Standby Use		
Float Charging Voltage	2.21V to 2.25V	
Coefficient	-3.0mV/°C/Cell	
Operating Temperature Range		
Charge	-15°C to 40°C	
Discharge	-15°C to 50°C	
Storage	-15°C to 40°C	
Charge Retention (Shelf Life) at 20°C		
1 month	98%	
3 months	94%	
6 months	85%	

Case Material	ABS UL94 HB
Termination	F18 (M8 Bolt)

Description of Torque Value of Hardware for the Terminals	
Recommended Torque Value	M8: 12 N-m (122kgf-cm)
Max. Allowable Torque Value	M8: 15 N-m (153kgf-cm)

Design Life	12 years
--------------------	----------

Classified as a non-spillable battery.
Approved for transportation by:

- Air (IATA/ICAO provision A67)
- Road
- Sea (per IMDG Special Provision 238)

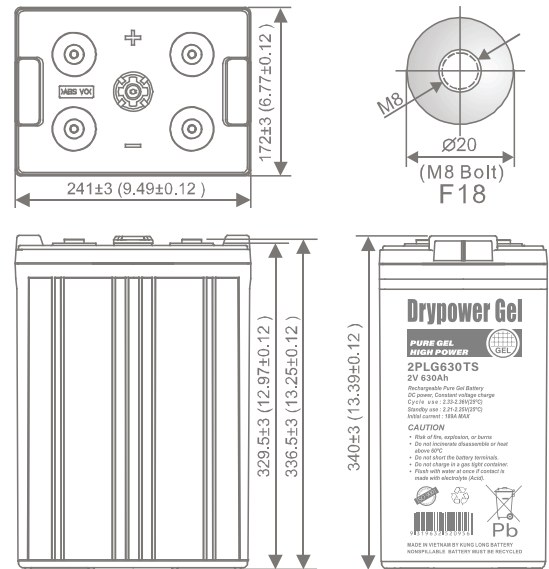


Barcode	 9319632520956
----------------	--

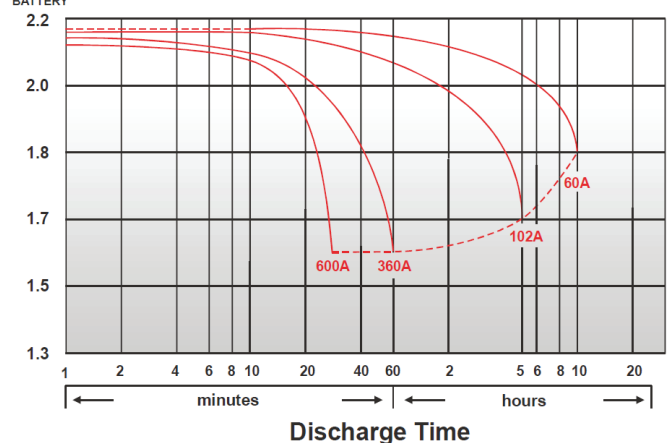


DIMENSIONS

mm (inch)

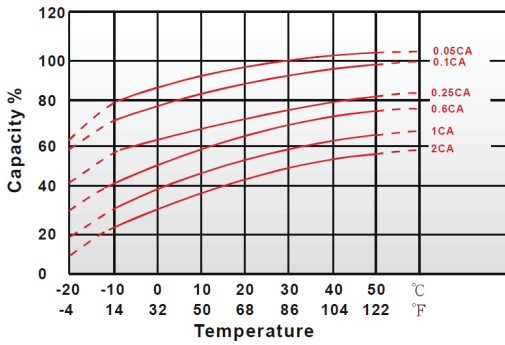


Discharge Time VS. Discharge Current (25°C)

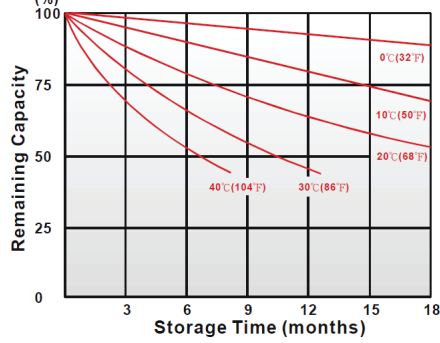


CHARACTERISTICS CHARTS

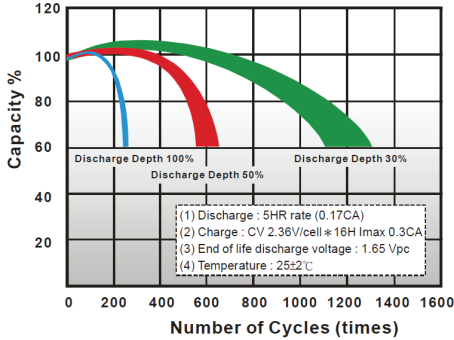
Effect of Temperature on Capacity 25°C (77°F)



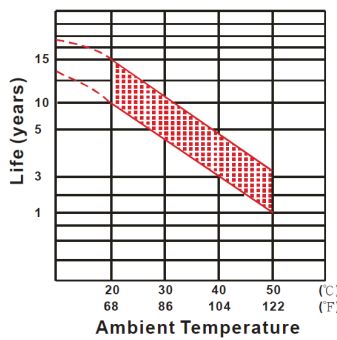
Capacity Retention Characteristic



Cycle Service Life



Trickle (or float) Service Life



FEATURES & BENEFITS

- ◆ Industry leading 99.99% pure lead content for superior service life and dependable performance.
- ◆ Gel compound contains more electrolyte that is more evenly distributed across the battery, producing stable output throughout its service life, minimising sulphation and significantly improving standby life.
- ◆ Low internal resistance for optimum charge and discharge efficiency.
- ◆ Maintenance free technology and non-spillable design.
- ◆ Better suited for more extreme operating temperatures.
- ◆ Manufactured by Kung Long Battery (KLB) at facilities in Taiwan and Vietnam. KLB is a leading manufacturer and complies with relevant international quality standards including ISO9001, CE ETL9000, UL1989, OHSAS18001 and ISO17025. KLB supports Green Sustainable supply chain practices.

