



2V

650Ah

SLA

AGM

## 2SB650HP-FR

Rechargeable AGM Sealed Lead Acid Battery

### SPECIFICATIONS

<b>Nominal Voltage</b>	2V	
<b>Nominal Capacity</b>		
20 hour rate (32.5A to 1.75V)	650Ah	
10 hour rate (60A to 1.80V)	600Ah	
5 hour rate (102A to 1.75V)	510Ah	
1 hour rate (330A to 1.75V)	330Ah	
1C (600A to 1.60V)	360Ah	
<b>Weight</b>	Approx. 35.7kg	
<b>Internal Resistance (at 1KHz)</b>	Approx. 0.5mΩ	
<b>Maximum Discharge Current (5 secs)</b>	3600A	
<b>Charge Methods at 25°C</b>		
<b>Cycle Use</b>		
Charging Voltage	2.33V to 2.36V	
Coefficient -5.0mV/°C/Cell		
Maximum Charging Current	195A	
<b>Standby Use</b>		
Float Charging Voltage	2.21V to 2.25V	
Coefficient -3.0mV/°C/Cell		
<b>Operating Temperature Range</b>		
<b>Charge</b>	-15°C to 40°C	
<b>Discharge</b>	-15°C to 50°C	
<b>Storage</b>	-15°C to 40°C	
<b>Charge Retention (Shelf Life) at 20°C</b>		
1 month	98%	
3 months	94%	
6 months	85%	

**Case Material** UL94 V-0 Flame Retardant

**Termination** F18 (M8 Bolt)

#### Description of Torque Value of Hardware for the Terminals

Recommended Torque Value M8: 12 N-m (122kgf-cm)  
Max. Allowable Torque Value M8: 15 N-m (153kgf-cm)

**Design Life** 12-15 Years (at 20°C)

**Classified as a non-spillable battery. Approved for transportation by:**

- Air (IATA/ICAO provision A67)
- Road
- Sea (per IMDG Special Provision 238)



**Barcode**

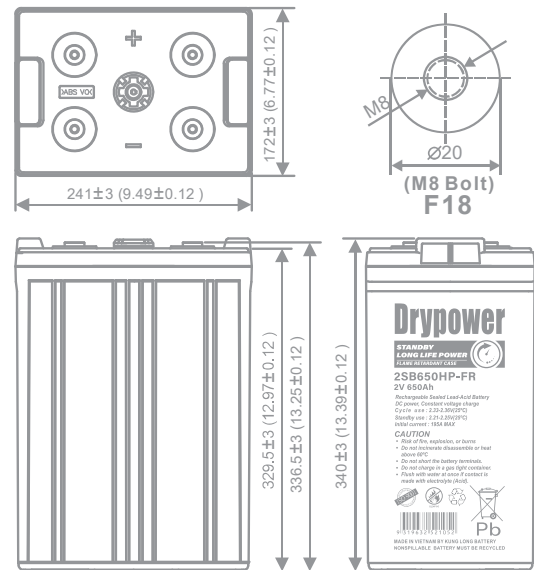


9319632521052

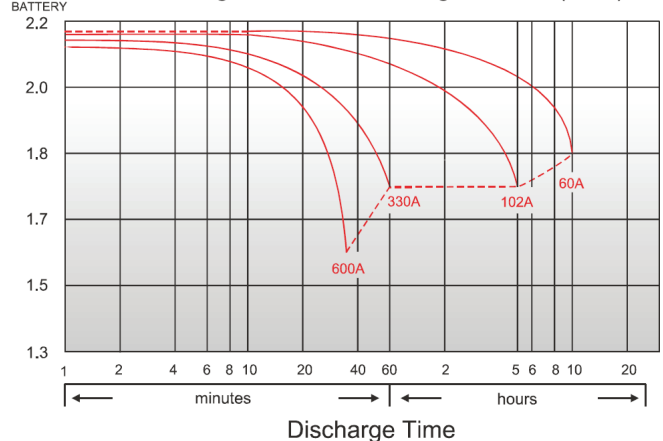


### DIMENSIONS

mm (inch)

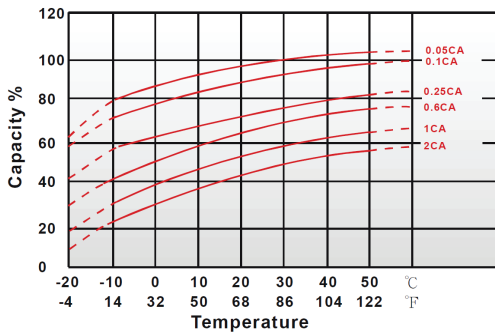


(V) FOR 2V BATTERY Discharge Time VS. Discharge Current (25°C)

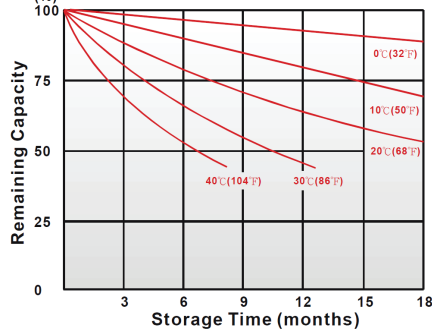


### CHARACTERISTICS CHARTS

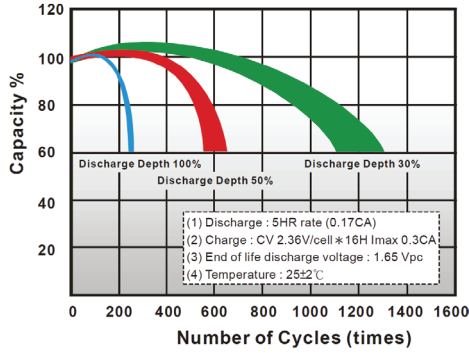
Effect of Temperature on Capacity 25°C (77°F)



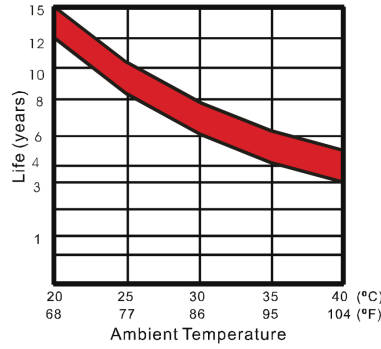
Capacity Retention Characteristic



Cycle Service Life



Trickle (or float) Service Life



### FEATURES & BENEFITS

- ◆ Industry leading 99.99% pure lead content for superior service life and dependable performance.
- ◆ Long service life to reduce maintenance and logistical costs across telecom, utilities and off-grid applications.
- ◆ Minimises sulphation with a thicker plate design and higher percentage of tin content to maximise battery standby life.
- ◆ High rate discharge capable to ensure reliable performance.
- ◆ Maintenance free technology and non-spillable design.
- ◆ Manufactured by Kung Long Battery (KLB) at facilities in Taiwan and Vietnam. KLB is a leading manufacturer and complies with relevant international quality standards including ISO9001, CE ETL9000, UL1989, OHSAS18001 and ISO17025. KLB supports Green Sustainable supply chain practices.

