

Drypower Gel

HYBRID GEL TYPE
DEEP CYCLE POWER



12V

65Ah

SLA

GEL
Deep Cycle

12GB65C

Rechargeable Hybrid Gel Lead Acid Battery

SPECIFICATIONS

Nominal Voltage	12V	
Nominal Capacity		
10 hour rate (6.50A to 10.50V)	65Ah	
5 hour rate (11.05A to 10.20V)	55.25Ah	
1 hour rate (35.75A to 9.60V)	35.75Ah	
1C (65A to 9.60V)	34.67Ah	
Weight	Approx. 23.9kg	
Internal Resistance (at 1KHz)	Approx. 4.5mΩ	
Maximum Discharge Current (5 secs)	780A	
Charge Methods at 25°C		
Cycle Use		
Charging Voltage	13.8V to 14.4V	
Coefficient -5.0mV/°C/Cell		
Maximum Charging Current	19.5A	
Standby Use		
Float Charging Voltage	13.5V to 13.8V	
Coefficient -3.0mV/°C/Cell		
Operating Temperature Range		
Charge	-15°C to 40°C	
Discharge	-15°C to 50°C	
Storage	-15°C to 40°C	
Charge Retention (Shelf Life) at 20°C		
1 month	98%	
3 months	94%	
6 months	85%	
Case Material	ABS UL94 HB	
Termination	F4 (M6 Bolt)	
Design Life	7-10 years	
Classified as a non-spillable battery. Approved for transportation by:		
• Air (IATA/ICAO provision A67)		
• Road		
• Sea (per IMDG Special Provision 238)		

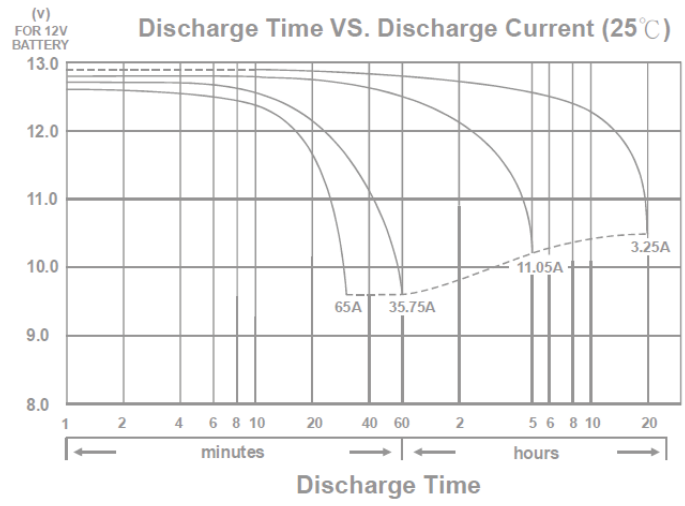
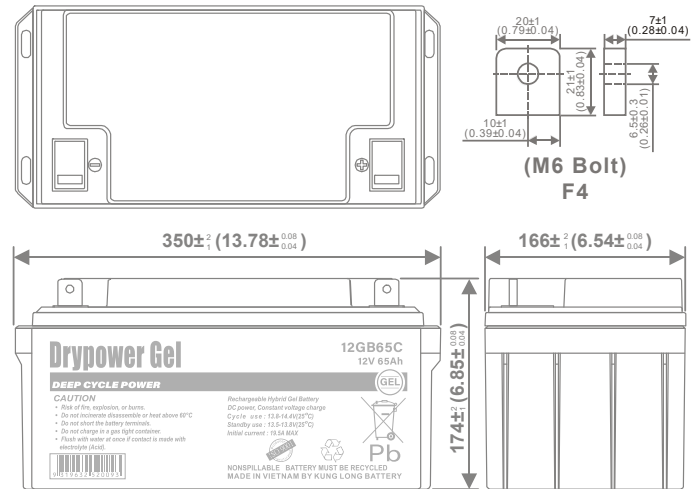


Barcode



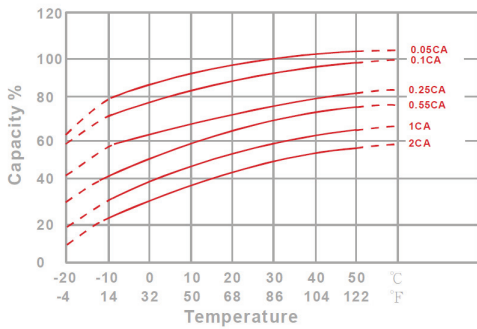
DIMENSIONS

mm (inch)

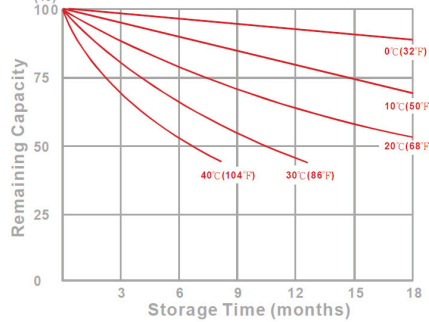


CHARACTERISTICS CHARTS

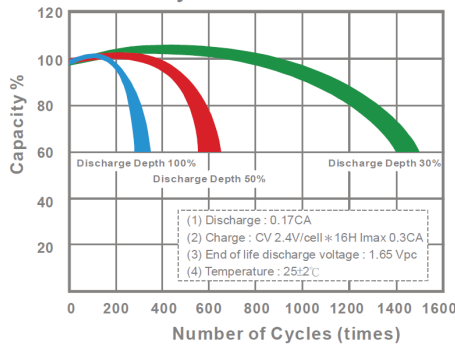
Effect of Temperature on Capacity 25°C(77°F)



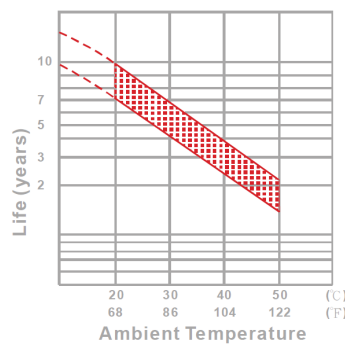
Capacity Retention Characteristic



Cycle Service Life



Trickle (or float) Service Life



FEATURES & BENEFITS

- ◆ Industry leading 99.99% pure lead content for superior service life and dependable performance.
- ◆ Gel compound contains more electrolyte that is more evenly distributed across the battery, producing stable output throughout its service life, minimising sulphation and significantly improving standby life.
- ◆ Low internal resistance for optimum charge and discharge efficiency.
- ◆ Maintenance free technology and non-spillable design.
- ◆ Better suited for more extreme operating temperatures.
- ◆ Manufactured by Kung Long Battery (KLB) at facilities in Taiwan and Vietnam. KLB is a leading manufacturer and complies with relevant international quality standards including ISO9001, CE ETL9000, UL1989, OHSAS18001 and ISO17025. KLB supports Green Sustainable supply chain practices.



PERFORMANCE DATA

Discharge Rates in Watts to Various End Voltages at 25°C (77°F)

End Voltage		1.85V	1.80V	1.75V	1.70V	1.67V	1.65V	1.60V
Time								
5	min	297	404	455	477	484	495	521
10	min	182	250	282	305	316	324	340
15	min	143	196	226	243	248	253	258
30	min	76.6	105	122	131	133	136	139
60	min	63.9	70.2	74.2	77.4	78.5	79.6	81.1
120	min	38.7	42.6	44.8	46.7	47.5	48.2	49
180	min	29	31.5	33.5	34.8	35.5	36	36.6
240	min	24.5	26.3	27.7	28.7	29.2	29.6	29.9
300	min	20.8	22	22.8	23.5	23.80	24.2	24.5
600	min	13	13.6	13.9	14.1	14.20	14.3	14.5
1200	min	6.83	7.15	7.28	7.4	7.45	7.5	7.58

Discharge Rates in Amperes to Various End Voltages at 25°C (77°F)

End Voltage		1.85V	1.80V	1.75V	1.70V	1.67V	1.65V	1.60V
Time								
5	min	158	224	258	276	282	289	309
10	min	94.2	131	149	163	168	174	183
15	min	76.6	105	112	120	123	127	132
30	min	41.3	53.1	61.3	65.9	67.1	68.5	69.8
60	min	32.4	35.7	37.8	39.5	40.1	40.7	41.6
120	min	18.6	20.7	22.2	23.4	23.8	24.3	24.9
180	min	14.5	15.6	16.6	17.4	17.7	18	18.4
240	min	11.80	12.7	13.4	14	14.2	14.5	14.8
300	min	10.6	11.3	11.9	12.3	12.5	12.7	12.9
600	min	6.43	6.72	6.86	6.97	7.01	7.06	7.12
1200	min	3.42	3.53	3.6	3.66	3.68	3.71	3.74

All data on the spec. sheet is an average value:

The tolerance range : X < 6min (+15%~-15%), 6min ≤ X < 10min (+12%~-12%), 10min ≤ X < 60min (+8%~-8%), X ≥ 60min (+5%~-5%)

Aug2020

Performance may vary depending on application. All specifications are correct at time of creation. All specifications and operation conditions contained in this datasheet are subject to change or improvement without prior notice to the user. This data is for evaluation purposes only. No guarantee is intended or implied by this data. For clarification and updated information, please contact us.